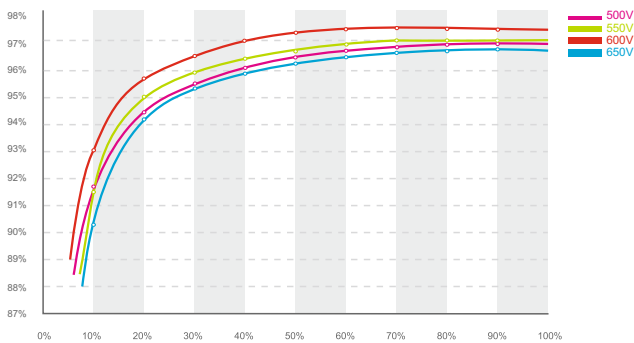


Leading - edge Technology

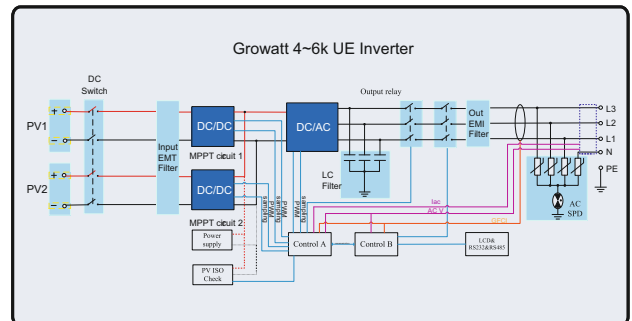
- ▶ DC input voltage up to 800V
- ▶ Maximum efficiency of 97.9%
- ▶ Internal DC switch
- ▶ Transformerless
- ▶ Compact design
- ▶ Multi MPP controller
- ▶ Ethernet / RF technology / WiFi
- ▶ Sound control
- ▶ Easy installation
- ▶ Comprehensive Growatt warranty program



Growatt 6000 UE efficiency



Growatt 4-6k UE topology



GROWATT NEW ENERGY TECHNOLOGY Co.,LTD

A: No.28 Guangming Road, Longteng CommunityShiyan, Baoan District, Shenzhen,PR:China.

T: + 86 755 2747 1900

F: + 86 755 2749 1460

E: info@ginvertec.com



VRM ENERGY
Solar EPC Partner

FOR ENQUIRY

VRM Energy Consultancy Services Pvt. Ltd.

No.1, Rathinammal Street, Rangarajapuram Main Road,
Kodambakkam, Chennai - 600 024

Mobile : +91 89399 80135

Website : www.vrmenergy.com | sales@vrmenergy.com

Datasheet	Growatt 4000UE	Growatt 5000UE	Growatt 6000UE
Input Data			
Max. DC power	4200W	5200W	6300W
Max DC voltage	800V	800V	800V
Start Voltage	150V	150V	150V
PV voltage range	140V - 800V	140V - 800V	140V - 800V
MPP voltage range / nominal voltage	200V - 800V / 580V	200V - 800V / 580V	200V - 800V / 580V
Full load DC voltage range	250V - 750V	300V - 750V	350V - 750V
Number of MPP trackers/strings per MPP tracker	2/1	2/1	2/1
Max. input current/per string	9A / 9A	9A / 9A	10A / 10A
Output (AC)			
Rated AC output power	4000W	5000W	6000W
Max. AC apparent power	4000VA	5000VA	6000VA
Max. output current	6.4A	7.9A	9.3A
AC nominal voltage; range	230V/400V; 184 - 275V	230V/400V; 184 - 275V	230V/400V; 184 - 275V
AC grid frequency; range	50-60Hz; 44-55Hz/54-65Hz	50-60Hz; 44-55Hz/54-65Hz	50-60Hz; 44-55Hz/54-65Hz
Power factor at rated power	1	1	1
Displacement power factor configurable	0.8 leading -0.8lagging	0.8 leading -0.8lagging	0.8 leading -0.8lagging
THDi (@Full load &THDv<1%	<3%	<3%	<3%
AC connection	3W+N+PE / 3W+PE(Opt)	3W+N+PE / 3W+PE(Opt)	3W+N+PE / 3W+PE(Opt)
Efficiency			
Max. efficiency	97%	97.4%	97.5%
Euro - eta	95.1%	96.3%	96.5%
MPPT efficiency	99.5%	99.5%	99.5%
Protection Devices			
DC reverse polarity protection	yes	yes	yes
DC switch	yes	yes	yes
Output AC overcurrent protection	yes	yes	yes
Output AC overvoltage protection - varistor	yes	yes	yes
Ground fault monitoring	yes	yes	yes
Grid monitoring	yes	yes	yes
Integrated all-pole sensitive leakage current monitoring unit	yes	yes	yes
General Data			
Dimensions (W / H / D)	433/566/195 mm	433/566/195 mm	433/566/195mm
Weight	30kg	31.1kg	31.1kg
Operating temperature range	-25 °C ... +60 °C	-25 °C ... +60 °C	-25 °C ... +60 °C
Noise emission (typical)	≤35 dB(A)	≤35 dB(A)	≤35 dB(A)
Self-Consumption (night)	< 0.5W	< 0.5W	< 0.5W
Topology	Transformerless	Transformerless	Transformerless
Cooling concept	Natural	Natural	Natural
Environmental Protection Rating	IP65	IP65	IP65
Altitude	2000m without derating	2000m without derating	2000m without derating
Relative Humidity	0~100%	0~100%	0~100%
Features			
DC connection	H4/MC4(opt)	H4/MC4(opt)	H4/MC4(opt)
AC connection	Screw terminal	Screw terminal	Screw terminal
Display	LCD	LCD	LCD
Interfaces: RS232/R485/LAN/RF/WiFi/GPRS	yes / yes / opt / opt / opt / opt	yes / yes / opt / opt / opt / opt	yes / yes / opt / opt / opt / opt
Warranty: 5 years / 10 years	yes / opt	yes / opt	yes / opt
Certificates and Approvals			
CE, VDE0126-1-1, VDE-AR-N4105, IEC 62109-1/-2, C-tick, AS/NZS 3100, AS4777, EN61000-6-2, EN61000-6-3, IEC61727, IEC62116, G83, EN50438			